

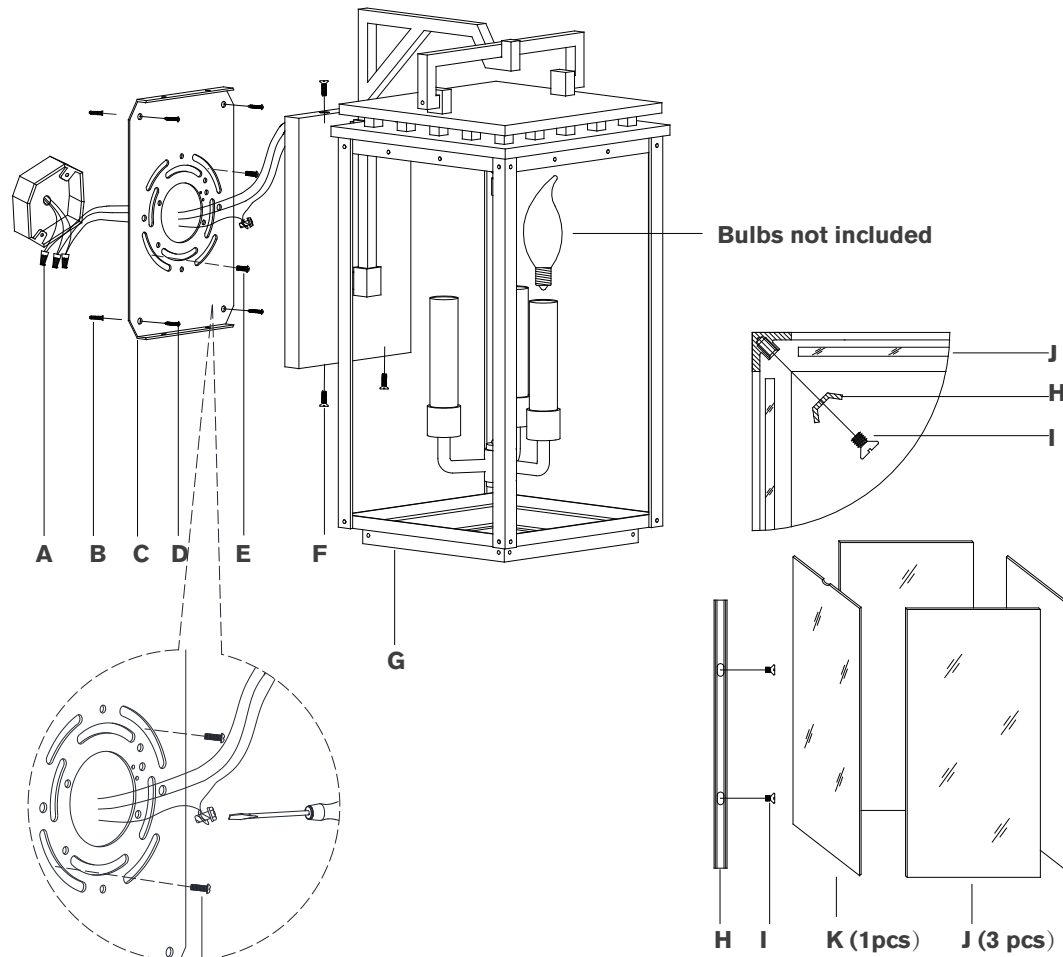
ASSEMBLY INSTRUCTIONS

Cheshire Small Bracketed Wall Lantern

Item # CHO 2611

NOTICE:

This light fixture should be installed in accordance with all applicable, local installation codes, and by a person familiar with the construction and operation of it, as well as the hazards involved. Inspect item and contents carefully. If any damage or defect is found, do not install. Retain all packaging material until installation is complete and approved.



TOOLS REQUIRED (NOT INCLUDED):

Phillips Screwdriver

Slotted Screwdriver

Drill

Pencil

Hammer

1. Carefully remove all parts from the box. Place on a clean, soft surface.
2. Remove mounting plate **(C)** from fixture frame **(G)** by removing screws **(F)**.
3. Using the mounting plate **(C)** as a guide, line up with the junction box and mark anchor positions.
4. Using a drill bit slightly smaller than the anchor, drill holes in the marked positions. Install anchors **(B)** into the holes using hammer.
5. Install mounting plate **(C)** to the junction box and secure with mounting screws **(D)**, then secure wood screws **(E)** to anchors **(B)**.
6. Remove metal bars **(H)** from fixture frame **(G)** by removing screws **(I)**.
7. Install glass sheet **(K)** to back of fixture frame **(G)** and secure with metal bar **(H)** using screws **(I)**.
8. Install glass sheets **(J)** to side of fixture frame **(G)** and secure with metal bars **(H)** using screws **(I)**.
9. Wrap fixture ground wire (bare copper) around the green grounding screw (see diagram 1). Tighten. Continue fixture ground wire and connect to supply ground wire (usually green or bare copper) using wire nut **(A)**.

NOTE: It is imperative that the fixture is grounded.

10. Connect fixture neutral wire (white) to the supply neutral wire (usually white) using wire nut **(A)**.

ASSEMBLY INSTRUCTIONS

Cheshire Small Bracketed Wall Lantern

Item # CHO 2611

NOTICE:

This light fixture should be installed in accordance with all applicable, local installation codes, and by a person familiar with the construction and operation of it, as well as the hazards involved. Inspect item and contents carefully. If any damage or defect is found, do not install. Retain all packaging material until installation is complete and approved.

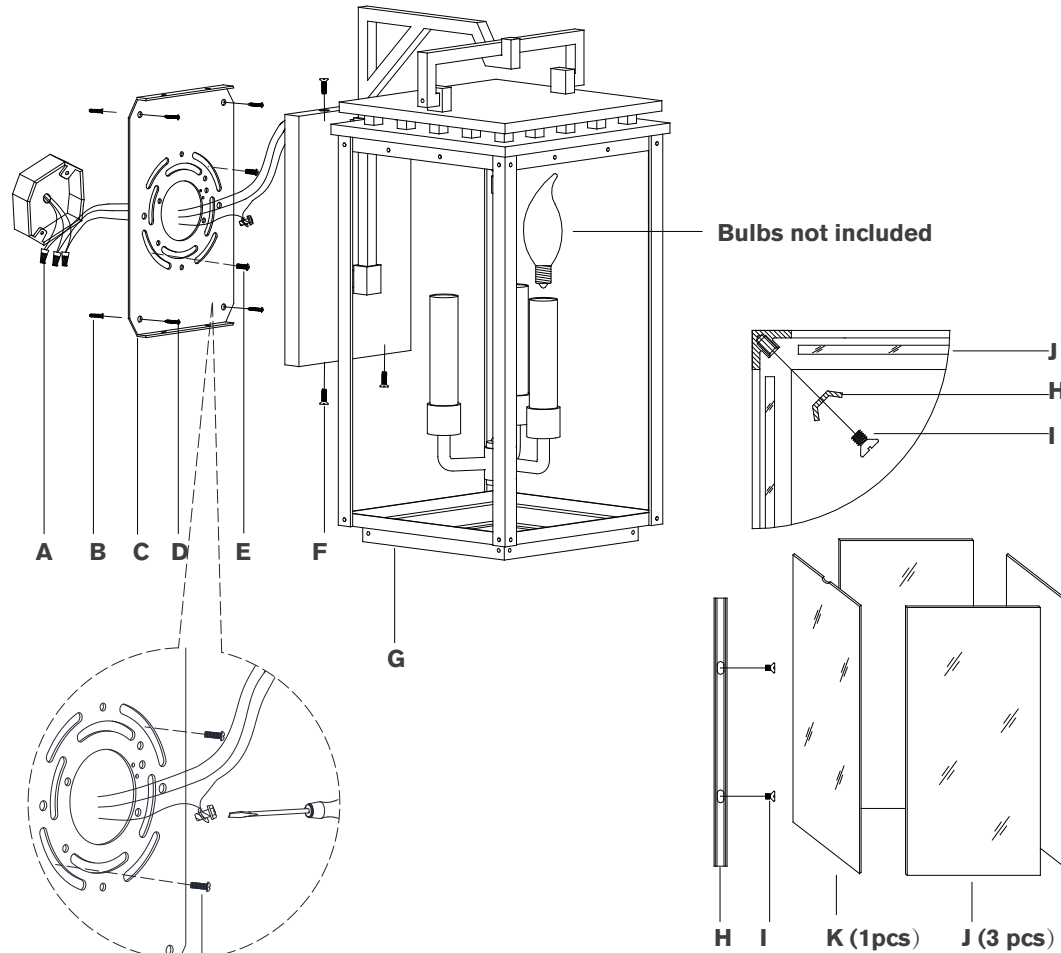


Diagram 1

11. Connect fixture hot wire (black) to the supply hot wire (usually black) using the wire nut (A).

CAUTION: Do not reverse the hot and neutral connections.

12. Make sure all wire connections are tight, then carefully tuck into the junction box.
13. Attach mounting plate (C) to the fixture frame (G) and secure with side screws (F).
14. Install light bulbs into the sockets.

FOR OUTDOOR/WET LOCATION INSTALLATION:

15. Using silicon compound, apply small bead where backplate meets wall to prevent water from entering.

NOTE: Large gaps will need to be corrected before applying silicon compound.

Care Instructions: Clean only with a soft dry cloth or feather duster. Do not use abrasive or chemical agents.