

ASSEMBLY INSTRUCTIONS

Leslie 12" Semi-Flush

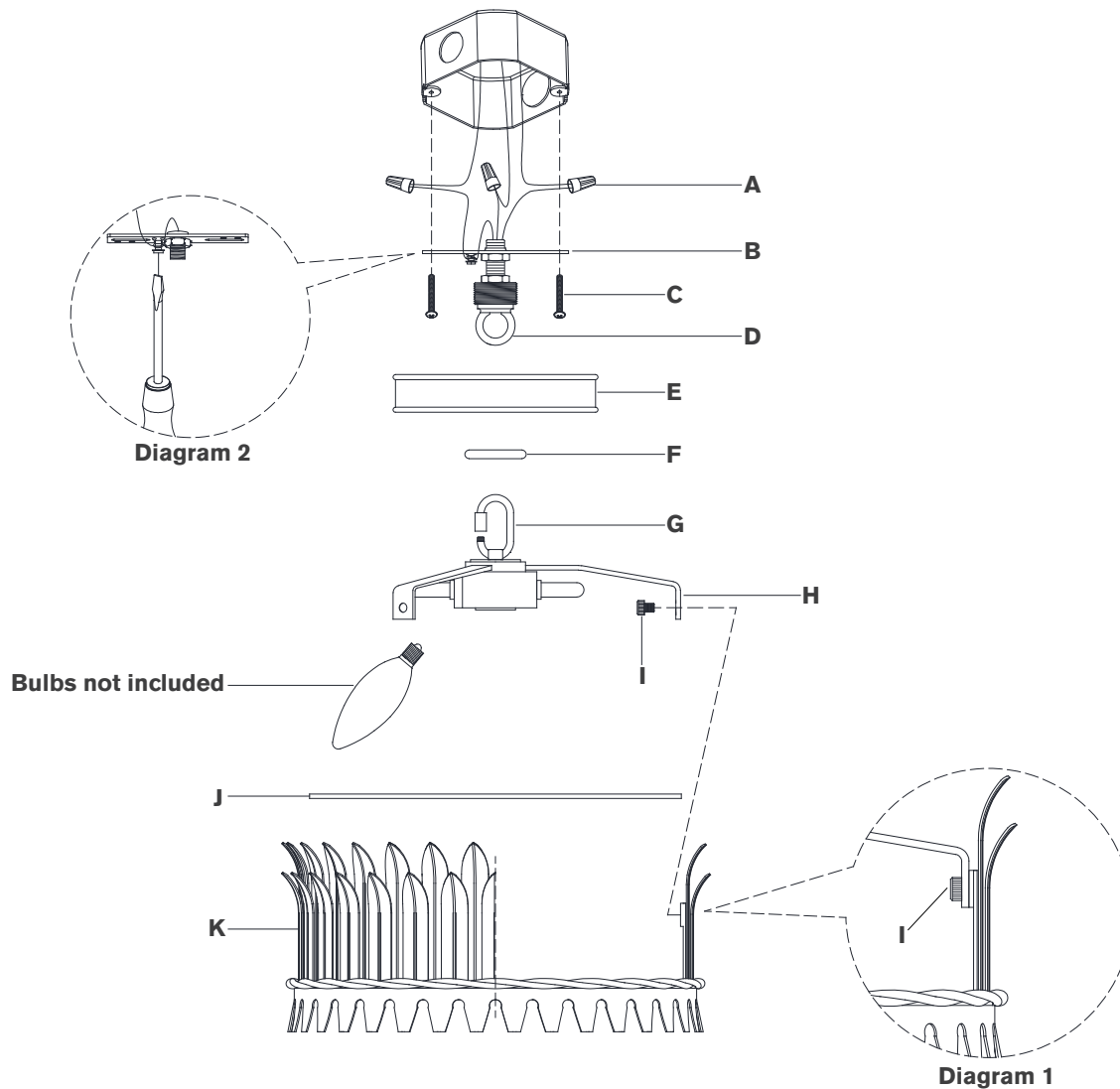
Item # SK 4205

NOTICE:

This light fixture should be installed in accordance with all applicable, local installation codes, and by a person familiar with the construction and operation of it, as well as the hazards involved. Inspect item and contents carefully. If any damage or defect is found, do not install. Retain all packaging material until installation is complete and approved.

TOOLS REQUIRED (NOT INCLUDED):

Phillips Screwdriver Slotted Screwdriver



1. Carefully remove all parts from the box. Place on a clean, soft surface.
2. Install mounting plate **(B)** to the junction box and secure with mounting screws **(C)**.
3. Secure collar loop **(D)** to mounting plate **(B)** using pliers to tighten locknut.
4. Install canopy **(E)** to collar loop **(D)** and secure with collar ring **(F)**.
5. Carefully place diffuser **(J)** into shade **(K)**.
6. Install fixture **(H)** to shade **(K)** and secure with thumbscrews **(I)**. See diagram 1.
7. Install light bulbs into the sockets.
8. Hang fixture **(H)** to collar loop **(D)**, then secure quick link **(G)**.
9. Loosen collar ring **(F)** and let canopy **(E)** slip down carefully.
10. Twist all fixture wires together. Slip through center hole of collar loop **(D)**.

NOTE: Untwist wires and separate to prepare for connection.

11. Wrap fixture ground wire (bare copper) around the green grounding screw (see diagram 2). Tighten. Continue fixture ground wire and connect to supply ground wire (usually green or bare copper) using wire nut **(A)**.

NOTE: It is imperative that the fixture is grounded.

12. Connect fixture neutral wire (ribbed) to the supply neutral wire (usually white) using wire nut **(A)**.

