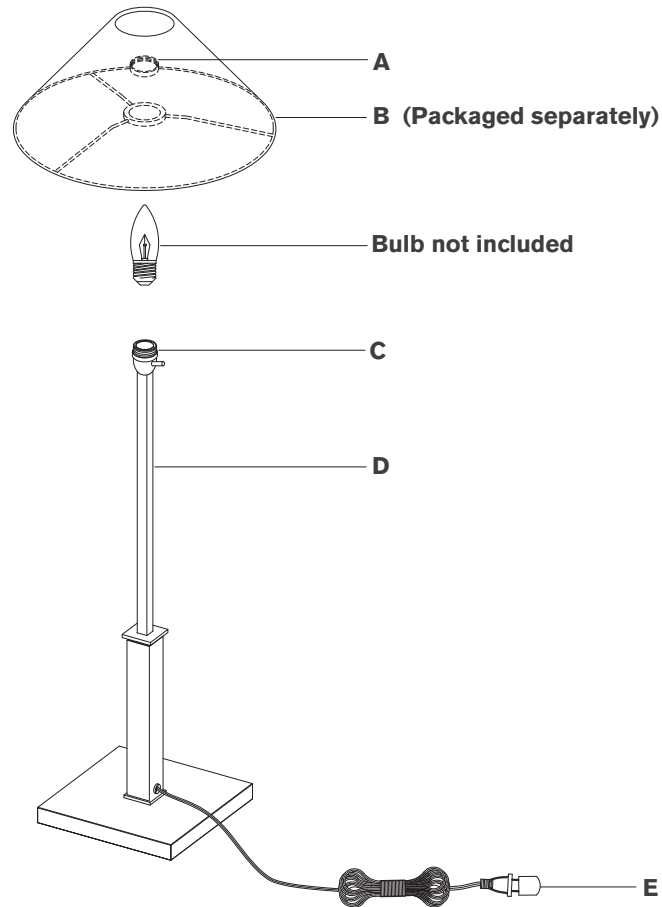


ASSEMBLY INSTRUCTIONS



Asher Table Lamp

Item # SP 3510

NOTICE:

This light fixture should be installed in accordance with all applicable, local installation codes, and by a person familiar with the construction and operation of it, as well as the hazards involved. Inspect item and contents carefully. If any damage or defect is found, do not install. Retain all packaging material until installation is complete and approved.

TOOLS REQUIRED (NOT INCLUDED):

Scissors

1. Carefully remove all parts from the box. Place on a clean, soft surface.
2. Remove socket ring **(A)** from socket **(C)**.
3. Remove shade **(B)** from packaging and install to socket **(C)** using socket ring **(A)**.
NOTE: If shade has additional packaging, carefully cut off from interior of shade to avoid damages.
4. Install light bulb into the socket.
5. Remove protective cover **(E)** from the plug.
6. To adjust fixture height, push up or down on fixture rod **(D)** and adjust to desired position.
NOTE: Help feed electrical cord in or out of lamp for smoother adjustment.
7. Plug into electrical outlet and test fixture.

Care Instructions: Clean only with a soft dry cloth or feather duster. Do not use abrasive or chemical agents.